

# PLUMMER BLOCK BRACKET FOR DRUM MOTOR AND IDLER PULLEY



Accessories  
Mounting  
Brackets

Set of brackets for mounting an idler pulley

## Product Description

- Application**
- ✓ For Drum Motors and Idler Pulleys 113i, 138i, 165i and 217i
  - ✓ For Drum Motors and Idler Pulleys 80D oil-free and 113D

## Product Range

Drum Motor	Material	Art. No.
113i	Aluminum	61008581
138i	Aluminum	61008582
165i/217i	Cast iron	61009983
	Aluminium	61100431
80D oil-free	Aluminium	61010381
113D	Aluminium	61010382

## Dimensions

Brackets for  
Asynchronous  
Motors

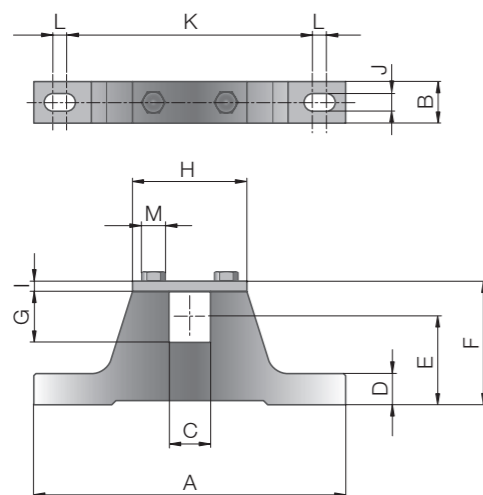


Fig.: Bracket 113i - 217i

Drum Motor	A mm	B mm	C mm	D mm	E mm	F mm	G mm	H mm	I mm	J mm	K mm	L mm	M	Material	Weight kg
113i	150.0	20.0	20.0	15.0	42.0	59.5	24.5	55.0	5.0	8.5	118.5	6.5	M6	Alu	0.50
138i	150.0	20.0	20.0	15.0	44.5	64.5	29.5	55.0	5.0	8.5	118.5	6.5	M6	Alu	0.52
165i/217i	170.0	20.0	30.0	20.0	50.0	75.0	39.5	70.0	5.0	11.0	116.0	14.0	M8	Stainless steel	0.80
165i/217i	187.0	40.0	30.0	22.0	50.0	75.0	36.0	72.0	5.0	14.0	110.0	20.0	M10	Cast iron	1.30

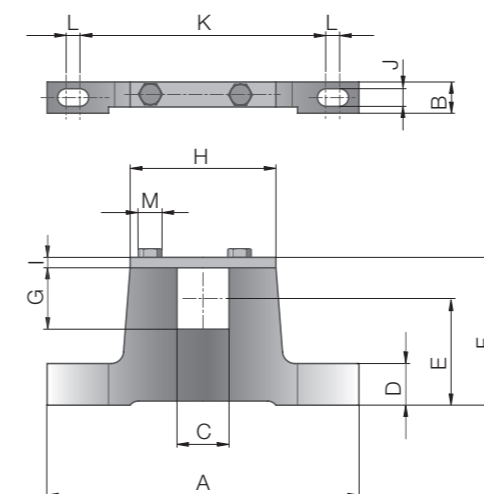


Fig.: Bracket 80D oil-free, 113D

Drum Motor	A mm	B mm	C mm	D mm	E mm	F mm	G mm	H mm	I mm	J mm	K mm	L mm	M	Material	Weight kg
80D oil-free	150.0	15.0	25.0	20.0	51.0	71.0	29.5	70.0	5.0	8.5	108.0	12	M6	Alu	0.20
113D	150.0	15.0	25.0	20.0	66.5	101.0	29.5	70.0	5.0	13.0	108.0	12	M6	Alu	

Brackets for  
Synchronous  
Motors